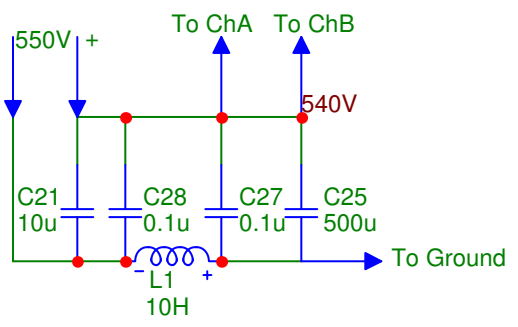


Note:
Gas tubes should be matched
within 150 to 152V @ 8mA

20dB 43dB -21dB (1kHz) 24dB

C1, C2 - BG Nx
C6, Rel Cap TFT
C7 - BG N
C8, Auricap

Raw supply,
Hammond
PT279X with 15R
in series with primary.
Rectifier, 5AR4



Rev. B
3/3/2004

This document & the information herein
is the sole property of Richard F. Sears
and shall not be used for commercial
purposes without the express written
permission of Richard F. Sears.
(richard@triodeguy.com)

MK1A 416 Planar Triode Phono Stage