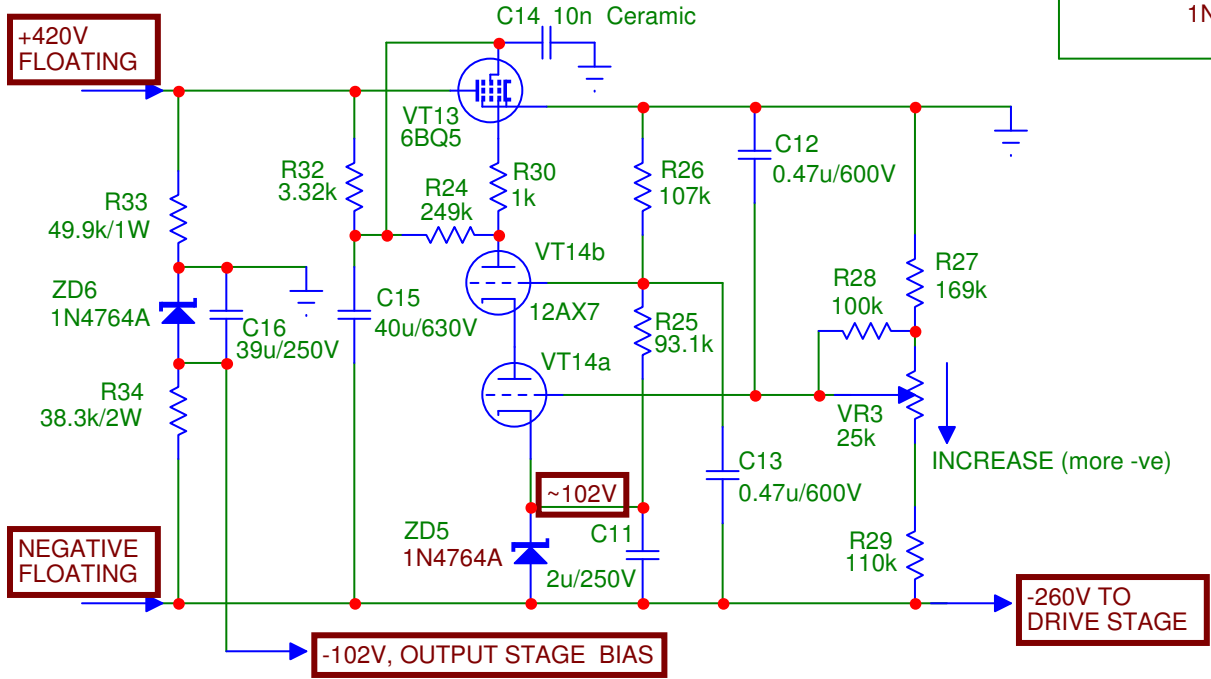


\*Kiwame 2W / 1000V



**RECOMMENDED COMPONENTS:**  
 Resistors, Roerdestein metal film;  
 MK3 (1/2W, 1%) and MK8 (2W, 2%)  
 unless stated otherwise.  
 Large capacitors, Solen or AEON film.  
 Small capacitors, Multicap PPFx.

This document and the information herein  
 is the sole property of Richard F. Sears  
 and shall not be used for commercial  
 purposes without the express written  
 permission of Richard F. Sears.

(richard@triodeguy.com)

Rev. A  
 2/23/2001

<b>KT88 (TRIODE) - 60W</b>
PARALLEL PUSH-PULL AMPLIFIER
B+ & B- REGULATORS (Pg 2 of 3)
PROGRAM FILES\DATA\KT88_REG
RICHARD F. SEARS 12/4/2000